

TOSHIBA Photocoupler Photorelay

TLX9152M

1. Description

Toshiba TLX9152M consists of an infrared emitting diode optically coupled to a photo-MOSFET in a SO16L-T package.

This coupler uses high voltage MOSFET between output terminals, making it suitable for battery-related control applications.

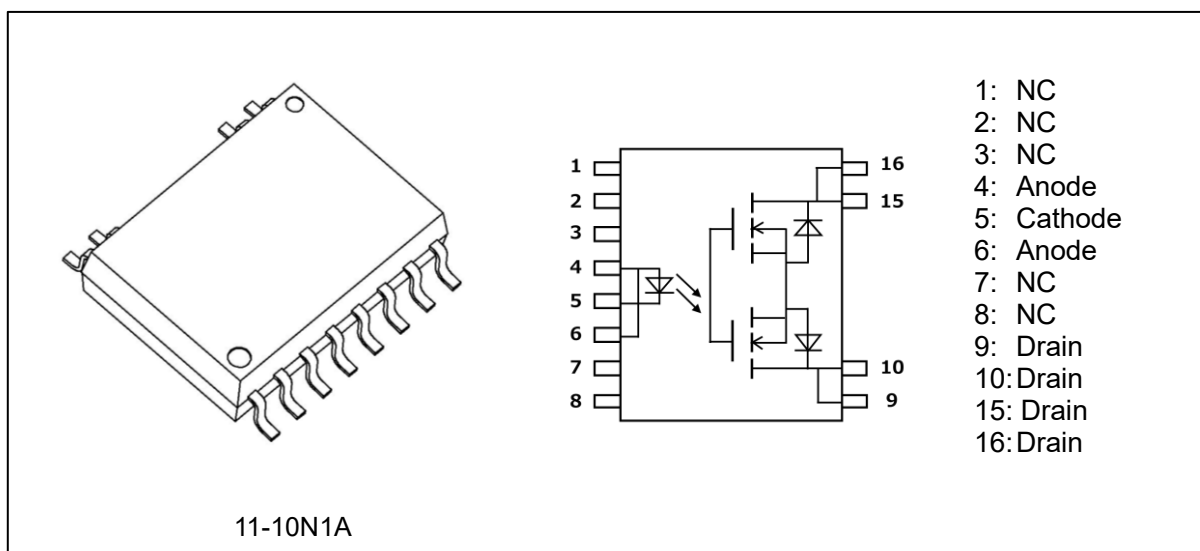
2. Applications

- Battery Control in Automotive Equipment
- Fuel Battery Control in Automotive Equipment
- Application for Electrical Vehicle

3. Features

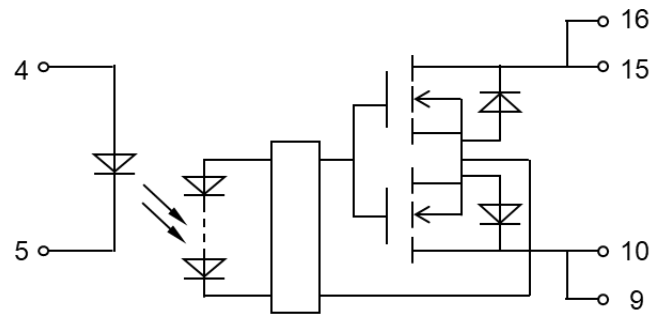
- Normally open (1-Form-A) device
- Peak off-state voltage: 900 V (min)
- Trigger LED current: 3 mA (max)
- On-state current: 50 mA (max)
- On-state resistance: 250 Ω (max)(@t < 1s)
- Isolation voltage: 5000 Vrms (min)
- Clearance distance: 8 mm (min)
- Creepage distance: 8 mm (min)
- Insulation thickness: 0.4 mm (min)
- Outer resin: CTI > 600
- AEC-Q101 qualified

4. Packing and Pin Assignments



Start of commercial production
2024-06

5. Internal Circuit



6. Absolute Maximum Ratings (Note) (Unless otherwise specified, $T_a = 25^\circ\text{C}$)

	Characteristics	Symbol	Note	Rating	Unit	
LED	Forward current	I_F		30	mA	
	Forward current derating ($T_a \geq 100^\circ\text{C}$)	$\Delta I_F/^\circ\text{C}$		-0.8	mA/ $^\circ\text{C}$	
	Reverse voltage	V_R		5	V	
	Input Power Dissipation	P_D		50	mW	
	Input Power Dissipation Derating ($T_a \geq 100^\circ\text{C}$)	$\Delta P_D/^\circ\text{C}$		-1.3	mW/ $^\circ\text{C}$	
	Junction temperature	T_j		135	$^\circ\text{C}$	
Detector	On-state current	I_{ON}		$T_a = 25^\circ\text{C}$	50	mA
				$T_a = 105^\circ\text{C}$	20	mA
				$T_a = 125^\circ\text{C}$	10	mA
	On-state current derating	$\Delta I_{ON}/^\circ\text{C}$			-0.5	mA/ $^\circ\text{C}$
	On-state current (Peak)	I_{ONpk}	(Note 1)	$T_a = 25^\circ\text{C}$	150	mA
				$T_a = 105^\circ\text{C}$	60	mA
				$T_a = 125^\circ\text{C}$	30	mA
	Avalanche current	I_{AV}	(Note 2)		0.6	mA
	Output power dissipation	P_O			600	mW
	Output power dissipation derating ($T_a \geq 47^\circ\text{C}$)	$\Delta P_O/^\circ\text{C}$			-7	mW/ $^\circ\text{C}$
Junction temperature	T_j			135	$^\circ\text{C}$	
Common	Storage temperature	T_{stg}		-55 to 150	$^\circ\text{C}$	
	Operating temperature	T_{opr}		-40 to 125	$^\circ\text{C}$	
	Lead soldering temperature (10s)	T_{sol}		260	$^\circ\text{C}$	
	Isolation voltage (AC, 60 s, R.H. $\leq 60\%$)	BVs	(Note 3)		5000	Vrms

Note: Using continuously under heavy loads (e.g. the application of high temperature/current/voltage and the significant change in temperature, etc.) may cause this product to decrease in the reliability significantly even if the operating conditions (i.e. operating temperature/current/voltage, etc.) are within the absolute maximum ratings. Please design the appropriate reliability upon reviewing the Toshiba Semiconductor Reliability Handbook (“Handling Precautions”/“Derating Concept and Methods”) and individual reliability data (i.e. reliability test report and estimated failure rate, etc).

Note: This product is more sensitive than conventional products to electrostatic discharge (ESD). It is therefore all the more necessary to observe general precautions regarding ESD when handling this component.

Note 1: Exponential curve, pulse width < 1ms, $f \leq 150\text{Hz}$

Note 2: 1min (max continuous), Duty cycle=0.1%, 5 time over lifetime.

Note 3: LED pins are shorted together. Detector pins are also shorted together.

7. Recommended Operating Conditions (Note)

Characteristics	Symbol	Min	Typ.	Max	Unit
Supply voltage	V_{DD}	—	—	900	V
Forward current	I_F	5	10	20	mA
On-state current	I_{ON}	—	—	50	mA
Operating temperature	T_{opr}	-40	—	125	°C

Note: Recommended operating conditions are given as a design guideline to obtain expected performance of the device. Additionally, each item is an independent guideline respectively. In developing designs using this product, please confirm specified characteristics shown in this document.

8. Electrical Characteristics (Unless otherwise specified, $T_a = 25^\circ\text{C}$)

Characteristics		Symbol	Test Condition	Min	Typ.	Max	Unit
LED	Forward voltage	V_F	$I_F = 10\text{mA}$	1.5	1.65	1.8	V
			$I_F = 10\text{mA}, T_a = -40\text{ to }125^\circ\text{C}$	1.4	—	1.95	
	Reverse current	I_R	$V_R = 5\text{V}$	—	—	10	μA
	Capacitance	C_T	$V = 0\text{V}, f = 1\text{MHz}$	—	45	—	pF
Detector	Output withstand voltage	V_{OFF}	$I_{OFF} = 10\ \mu\text{A}, T_a = 25^\circ\text{C}$	900	—	—	V
	Off-state current	I_{OFF}	$V_{OFF} = 900\text{V}, T_a = 25^\circ\text{C}$	—	—	100	nA
			$V_{OFF} = 900\text{V}, T_a = -40\text{ to }105^\circ\text{C}$	—	—	1000	
			$V_{OFF} = 900\text{V}, T_a = -40\text{ to }125^\circ\text{C}$	—	—	5000	
Capacitance	C_{OFF}	$V = 0\text{V}, f = 1\text{MHz}$	—	60	—	pF	

9. Coupled Electrical Characteristics

Characteristics	Symbol	Test Condition	Min	Typ.	Max	Unit
Trigger LED current	I_{FT}	$I_{ON} = 50\text{mA}, T_a = 25^\circ\text{C}, t = 10\text{ms}$	—	—	3	mA
		$I_{ON} = 20\text{mA}, T_a = -40\text{ to }105^\circ\text{C}, t = 10\text{ms}$	—	—	3	
		$I_{ON} = 10\text{mA}, T_a = -40\text{ to }125^\circ\text{C}, t = 10\text{ms}$	—	—	3	
Return LED current	I_{FC}	$I_{OFF} = 100\ \mu\text{A}, T_a = -40\text{ to }125^\circ\text{C}, t = 40\text{ms}$	0.05	—	—	mA
On-state resistance	R_{ON}	$I_{ON} = 50\text{mA}, I_F = 10\text{mA}, T_a = 25^\circ\text{C}, t < 1\text{s}$	—	—	250	Ω
		$I_{ON} = 20\text{mA}, I_F = 10\text{mA}, T_a = -40\text{ to }105^\circ\text{C}, t < 1\text{s}$	—	—	350	
		$I_{ON} = 10\text{mA}, I_F = 10\text{mA}, T_a = -40\text{ to }125^\circ\text{C}, t < 1\text{s}$	—	—	400	

10. Isolation Characteristics ($T_a = 25^\circ\text{C}$)

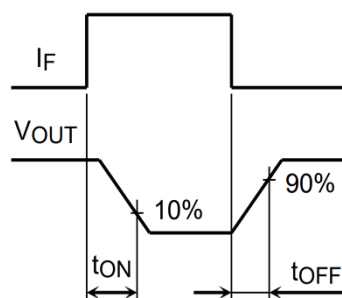
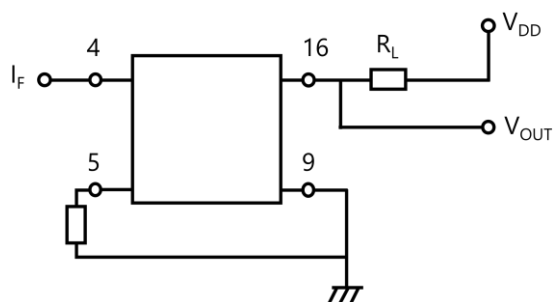
Characteristics	Symbol	Note	Test Condition	Min	Typ.	Max	Unit
Capacitance input to output	C_s	(Note1)	$V_s = 0\text{ V}$, $f = 1\text{ MHz}$	—	0.9	—	pF
Isolation resistance	R_s	(Note1)	$V_s = 1000\text{ V}$, R.H. $\leq 60\%$	5×10^{10}	10^{14}	—	Ω
Isolation voltage	BVs	(Note1)	AC, 60 s	5000	—	—	Vrms

Note1: Device considered a two-terminal device: Pins 1 to 8 shorted together, and 9, 10, 15 and 16 shorted together.

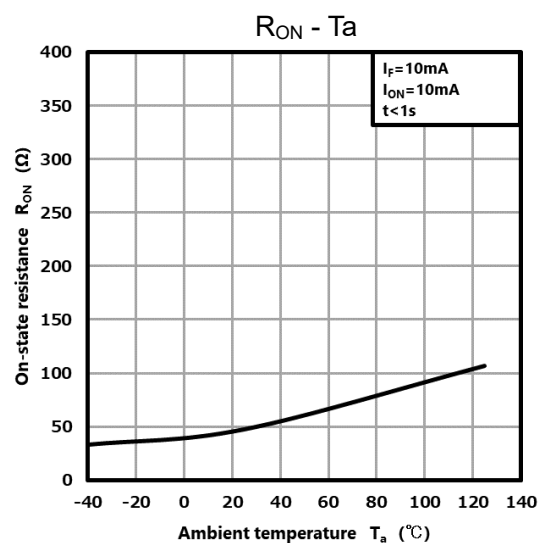
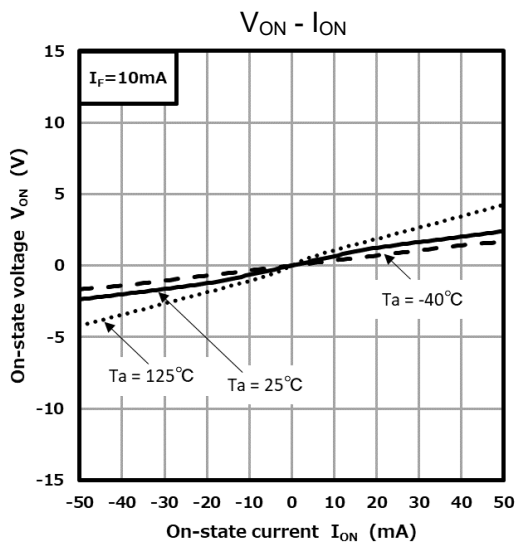
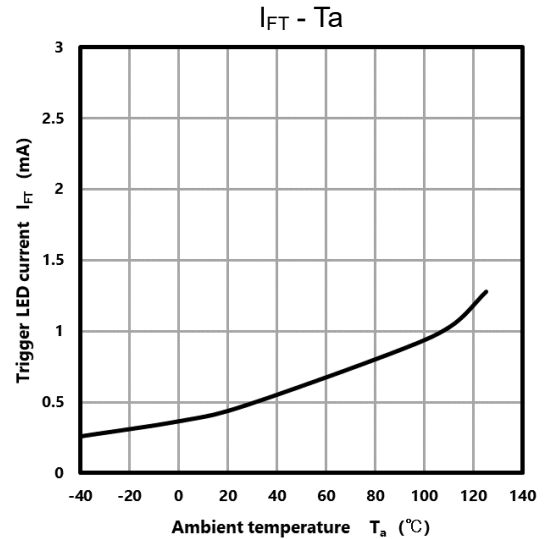
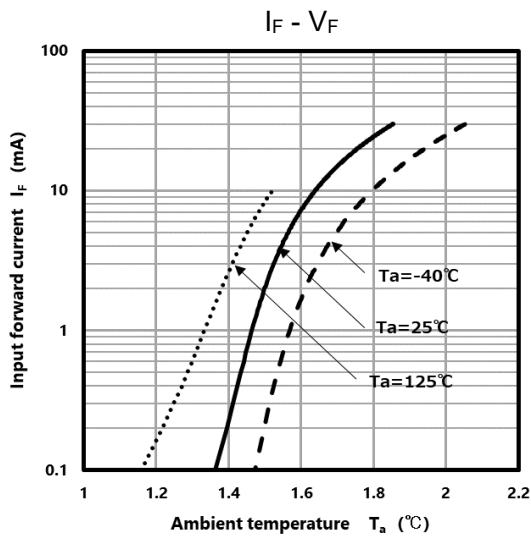
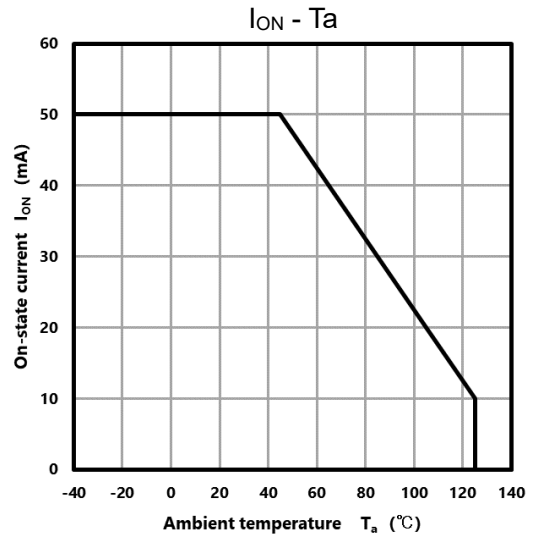
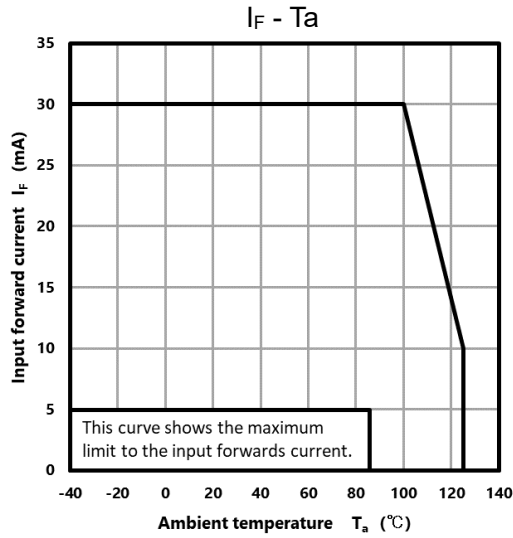
11. Switching Characteristics

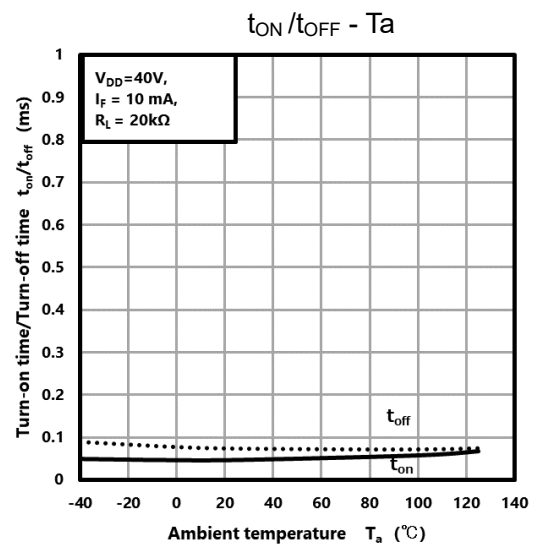
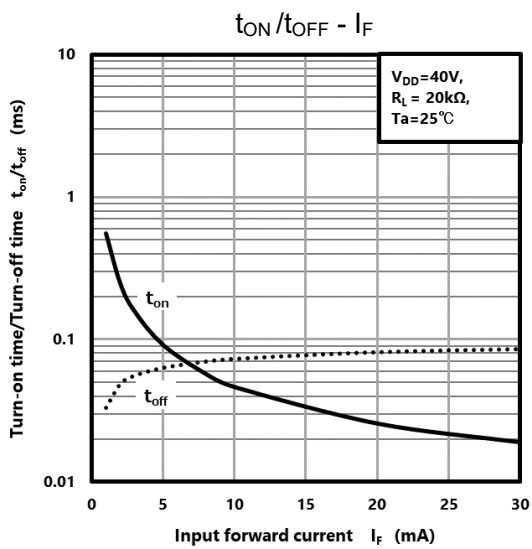
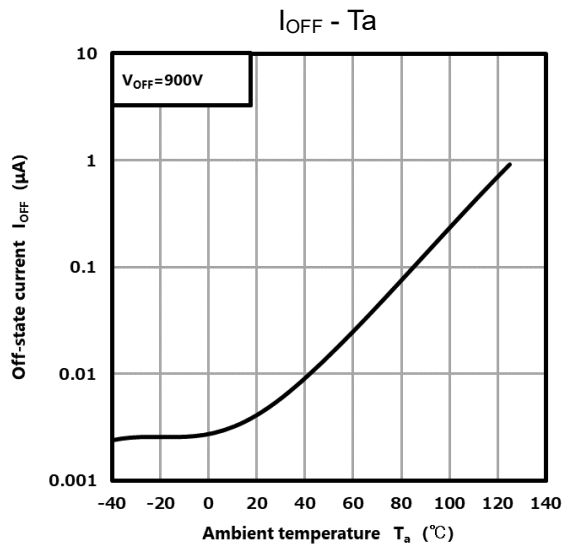
Characteristics	Symbol	Note	Test Condition	Min	Typ.	Max	Unit
Turn on time	t_{ON}	(Note1)	$I_F = 10\text{ mA}$ $R_L = 20\text{ k}\Omega$ $V_{DD} = 40\text{ V}$	—	—	1	ms
Turn off time	t_{OFF}	(Note1)					
Turn on time	t_{ON}	(Note1)	$T_a = -40\text{ to }125^\circ\text{C}$	—	—	1	ms
Turn off time	t_{OFF}	(Note1)					

Note1: Switching time test circuit



12. Characteristics Curves (Note)

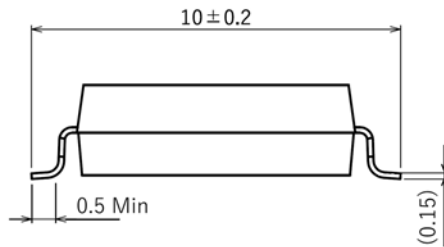
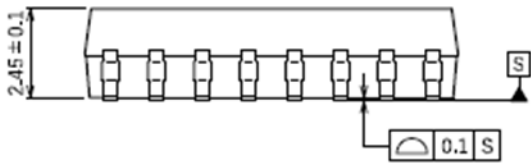
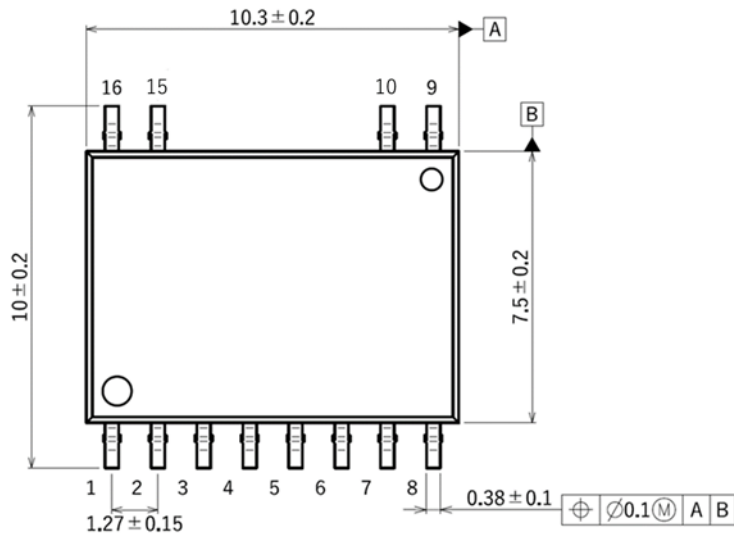




Note: The above characteristics curves are presented for reference only and not guaranteed by production test, unless otherwise noted.

13. Package Dimensions

Unit: mm



Weight: 0.42g (typ.)

Package Name(s)
TOSHIBA: 11-10N1A

RESTRICTIONS ON PRODUCT USE

Toshiba Corporation and its subsidiaries and affiliates are collectively referred to as "TOSHIBA". Hardware, software and systems described in this document are collectively referred to as "Product".

- TOSHIBA reserves the right to make changes to the information in this document and related Product without notice.
- This document and any information herein may not be reproduced without prior written permission from TOSHIBA. Even with TOSHIBA's written permission, reproduction is permissible only if reproduction is without alteration/omission.
- Though TOSHIBA works continually to improve Product's quality and reliability, Product can malfunction or fail. Customers are responsible for complying with safety standards and for providing adequate designs and safeguards for their hardware, software and systems which minimize risk and avoid situations in which a malfunction or failure of Product could cause loss of human life, bodily injury or damage to property, including data loss or corruption. Before customers use the Product, create designs including the Product, or incorporate the Product into their own applications, customers must also refer to and comply with (a) the latest versions of all relevant TOSHIBA information, including without limitation, this document, the specifications, the data sheets and application notes for Product and the precautions and conditions set forth in the "TOSHIBA Semiconductor Reliability Handbook" and (b) the instructions for the application with which the Product will be used with or for. Customers are solely responsible for all aspects of their own product design or applications, including but not limited to (a) determining the appropriateness of the use of this Product in such design or applications; (b) evaluating and determining the applicability of any information contained in this document, or in charts, diagrams, programs, algorithms, sample application circuits, or any other referenced documents; and (c) validating all operating parameters for such designs and applications. **TOSHIBA ASSUMES NO LIABILITY FOR CUSTOMERS' PRODUCT DESIGN OR APPLICATIONS.**
- **PRODUCT IS NEITHER INTENDED NOR WARRANTED FOR USE IN EQUIPMENTS OR SYSTEMS THAT REQUIRE EXTRAORDINARILY HIGH LEVELS OF QUALITY AND/OR RELIABILITY, AND/OR A MALFUNCTION OR FAILURE OF WHICH MAY CAUSE LOSS OF HUMAN LIFE, BODILY INJURY, SERIOUS PROPERTY DAMAGE AND/OR SERIOUS PUBLIC IMPACT ("UNINTENDED USE").** Except for specific applications as expressly stated in this document, Unintended Use includes, without limitation, equipment used in nuclear facilities, equipment used in the aerospace industry, lifesaving and/or life supporting medical equipment, equipment used for automobiles, trains, ships and other transportation, traffic signaling equipment, equipment used to control combustions or explosions, safety devices, elevators and escalators, and devices related to power plant. **IF YOU USE PRODUCT FOR UNINTENDED USE, TOSHIBA ASSUMES NO LIABILITY FOR PRODUCT.** For details, please contact your TOSHIBA sales representative or contact us via our website.
- Do not disassemble, analyze, reverse-engineer, alter, modify, translate or copy Product, whether in whole or in part.
- Product shall not be used for or incorporated into any products or systems whose manufacture, use, or sale is prohibited under any applicable laws or regulations.
- The information contained herein is presented only as guidance for Product use. No responsibility is assumed by TOSHIBA for any infringement of patents or any other intellectual property rights of third parties that may result from the use of Product. No license to any intellectual property right is granted by this document, whether express or implied, by estoppel or otherwise.
- **ABSENT A WRITTEN SIGNED AGREEMENT, EXCEPT AS PROVIDED IN THE RELEVANT TERMS AND CONDITIONS OF SALE FOR PRODUCT, AND TO THE MAXIMUM EXTENT ALLOWABLE BY LAW, TOSHIBA (1) ASSUMES NO LIABILITY WHATSOEVER, INCLUDING WITHOUT LIMITATION, INDIRECT, CONSEQUENTIAL, SPECIAL, OR INCIDENTAL DAMAGES OR LOSS, INCLUDING WITHOUT LIMITATION, LOSS OF PROFITS, LOSS OF OPPORTUNITIES, BUSINESS INTERRUPTION AND LOSS OF DATA, AND (2) DISCLAIMS ANY AND ALL EXPRESS OR IMPLIED WARRANTIES AND CONDITIONS RELATED TO SALE, USE OF PRODUCT, OR INFORMATION, INCLUDING WARRANTIES OR CONDITIONS OF MERCHANTABILITY, FITNESS FOR A PARTICULAR PURPOSE, ACCURACY OF INFORMATION, OR NONINFRINGEMENT.**
- GaAs (Gallium Arsenide) is used in Product. GaAs is harmful to humans if consumed or absorbed, whether in the form of dust or vapor. Handle with care and do not break, cut, crush, grind, dissolve chemically or otherwise expose GaAs in Product.
- Do not use or otherwise make available Product or related software or technology for any military purposes, including without limitation, for the design, development, use, stockpiling or manufacturing of nuclear, chemical, or biological weapons or missile technology products (mass destruction weapons). Product and related software and technology may be controlled under the applicable export laws and regulations including, without limitation, the Japanese Foreign Exchange and Foreign Trade Law and the U.S. Export Administration Regulations. Export and re-export of Product or related software or technology are strictly prohibited except in compliance with all applicable export laws and regulations.
- Please contact your TOSHIBA sales representative for details as to environmental matters such as the RoHS compatibility of Product. Please use Product in compliance with all applicable laws and regulations that regulate the inclusion or use of controlled substances, including without limitation, the EU RoHS Directive. **TOSHIBA ASSUMES NO LIABILITY FOR DAMAGES OR LOSSES OCCURRING AS A RESULT OF NONCOMPLIANCE WITH APPLICABLE LAWS AND REGULATIONS.**

Toshiba Electronic Devices & Storage Corporation

<https://toshiba.semicon-storage.com/>