

EITS Series

Right Angle Illuminated Tact Switch



Specifications

Function	Momentary Action
Contact Arrangement	1 make contact = STSP, NO
Terminals	PIP, THT
Contact Material	Silver plated

Electrical Characteristics

Max. Power	0.6 VA
Max. Voltage	12V
Max. Current	50mA
Dielectric Strength	AC 250V for 1 minute
Contact Resistance	<= 100mOhm
Bounce Time	<= 10ms

Environmental Characteristics

Operating Temperature	-40°C to 85°C
Storage Temperature	-40°C to 85°C

Description

The EITS series are right angle illuminated tact switches, available with both surface mount PIP terminal for reflow soldering and standard through hole configurations for wave soldering. EITS Series offers the most common actuation forces with 1.6N & 2.5N versions, operating life at 500K cycles. With a wide range of LED color and multiple custom caps option, the EITS series are ideal for a wide range of products— such as consumer electronics, servers, medical devices and audio/video devices.

Features & Benefits

- Surface mount PIP terminal and standard through hole configurations
- Various LED colors / bi-color options
- High temperature cap available for PIP reflow soldering
- Unique Mylar surface perfect for pick-and-place process
- Customized cap markings/ logos upon request
- Tape & Reel packaging

Applications

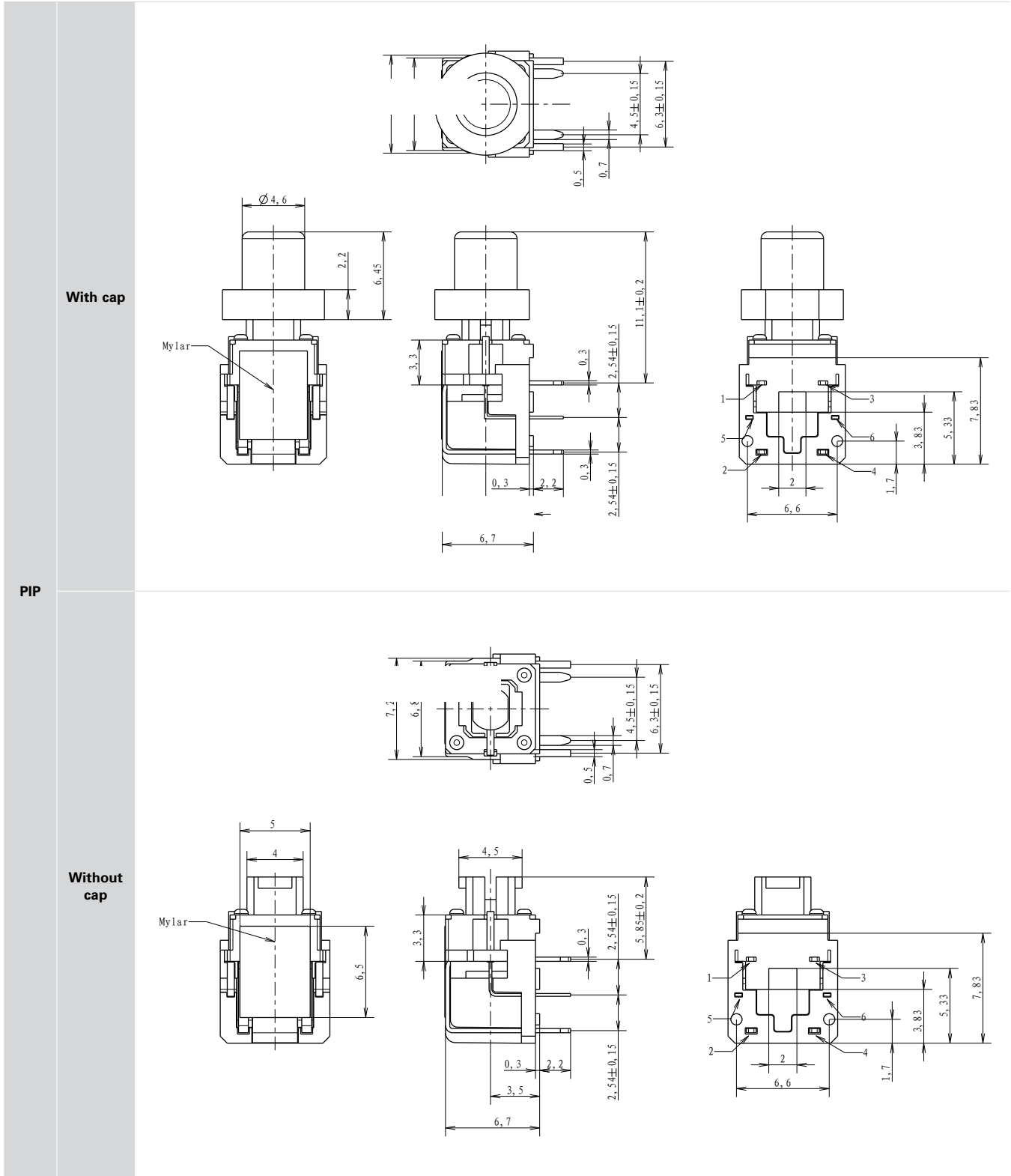
- Servers, Data centers
- Consumer electronics
- Medical devices
- Audio / Video devices

EITS Series

Right Angle Illuminated Tact Switch



Dimensions

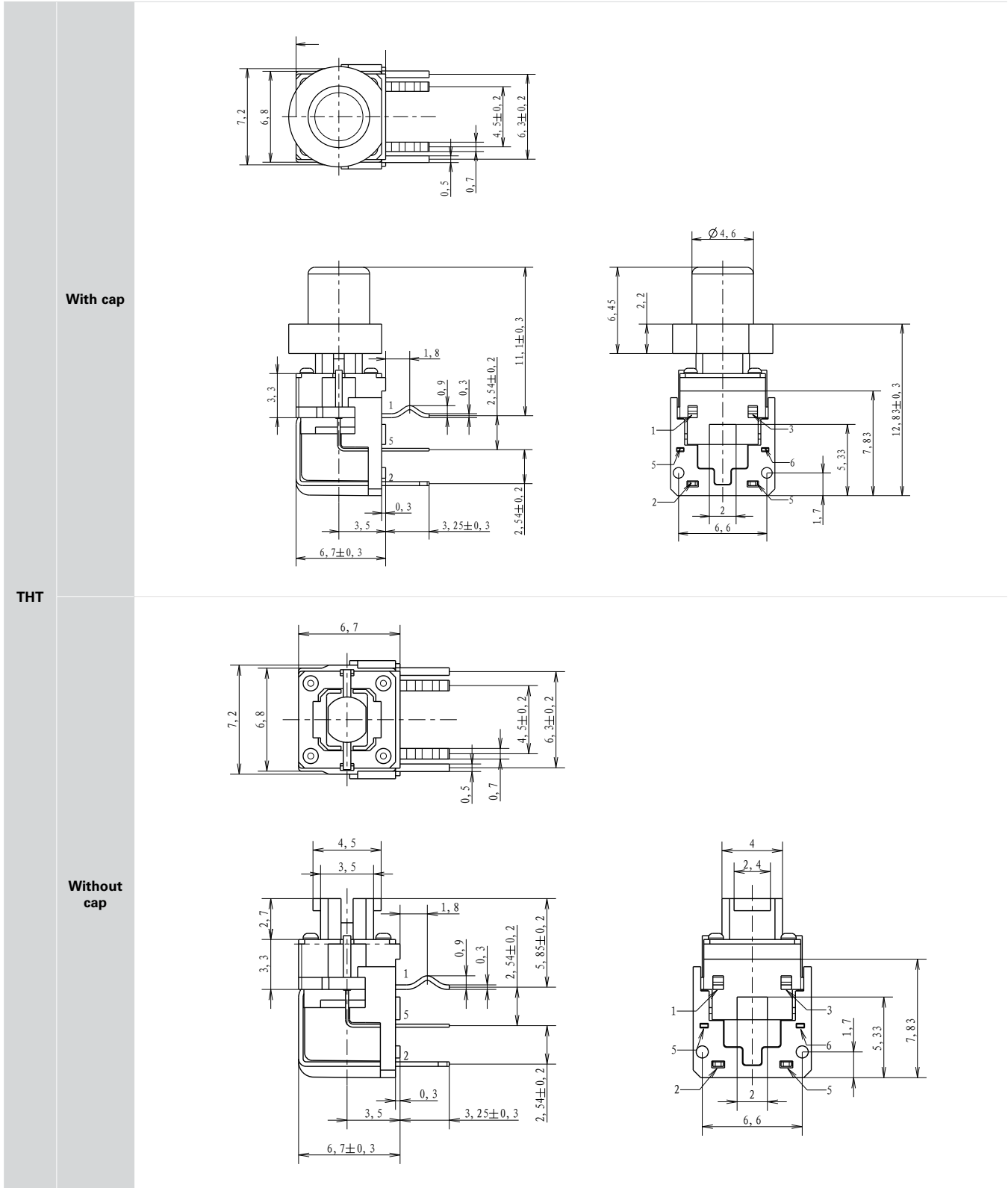


EITS Series

Right Angle Illuminated Tact Switch



Dimensions



EITS Series

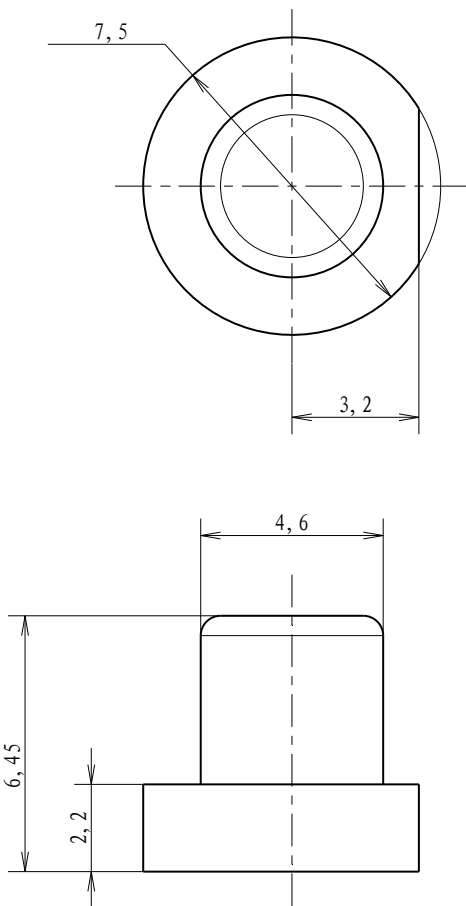
Right Angle Illuminated Tact Switch



Mechanical Characteristics

Terminal	Pin	Force (N)	Operating Life (operations)	Travel (mm)
PIP	EITSxxxxSxxx	160 ± 50	500,000	0.25 +0.2/-0.1
		250 ± 60		
THT	EITSxxxxWxxx	160 ± 50	500,000	0.25+0.2/-0.1
		250 ± 60		

Cap Sizes and Marking



Notes:
Tolerance
0.0:+/-0.2
0.00:+/-0.1

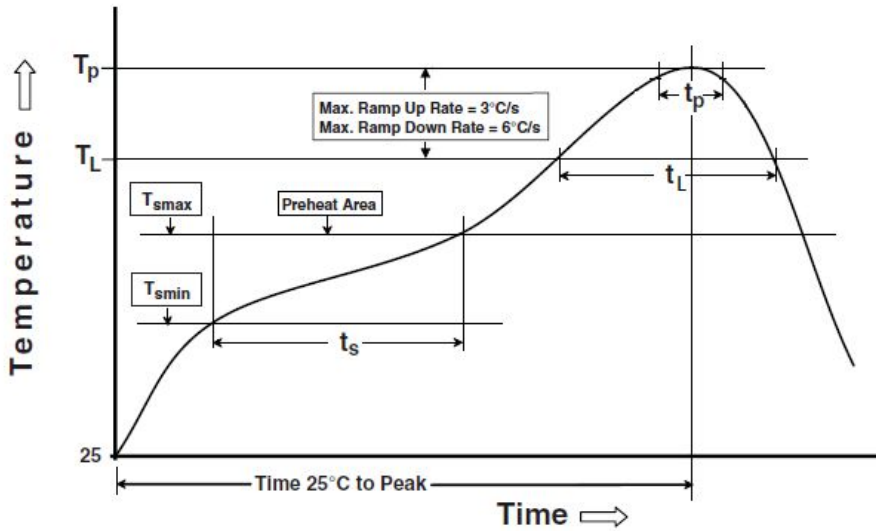
Cap Features	
Code	
1	Clear/ no marking
2	Reset
3	⏻
4	⦿
5	I D
6	⦿
7	⦿

EITS Series

Right Angle Illuminated Tact Switch

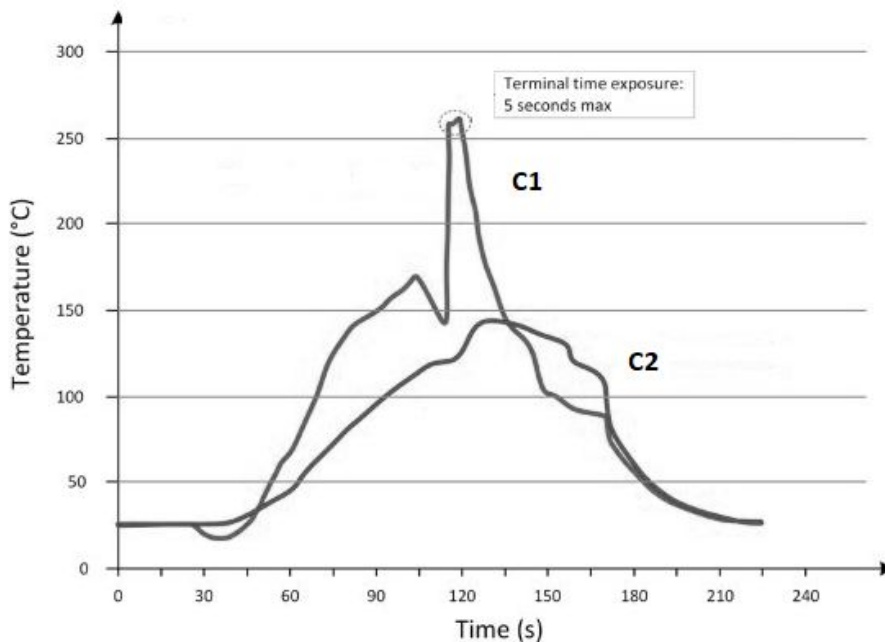


Reflow Soldering Profile (for PIP)



Tp	Peak package body temperature 260°C
TL	Liquidous temperature 217°C
Ts	Preheat temperature 150-200°C
ts	Preheat time 60-120s
tp	30s
tL	60-150s

Wave Soldering Profile (for THT)



C1	Temperature under the PCB
C2	Temperature on the PCB

Process Parameters:
 Temperature of wave soldering: 260°C
 Speed of conveyor: 1m/min

EITS Series

Right Angle Illuminated Tact Switch



Pad Layout Dimensions

PIP	With Cap		<p>Blue</p>	<p>Yellow</p>	<p>Green</p>	<p>Red or Amber</p>	<p>Single color led LED: GN Green BU Blue RD Red WH White YE Yellow</p>
	Without Cap						
THT	With Cap		<p>See below</p>	<p>Yellow</p>	<p>Green</p>	<p>Red or Amber</p>	<p>Single color led LED: GN Green BU Blue RD Red WH White YE Yellow</p>
	Without Cap						

EITS Series

Right Angle Illuminated Tact Switch



LED Characteristics

Chip			Lens Appearance	Absolute Maximum Rating			Electro-optical Data (At 20 mA)							
Emitted Color	Peak Wave Length λ_p (mm)	Dominant Wave Length λ_d (mm)		Pd (mW)	If (mA)	Peak If (mA)	$\Delta \lambda$ (nm)	Vf (V)			Iv (mcd)			Viewing Angle 2θ $\frac{1}{2}$ deg
								Min	Typ	Max	Min	Typ	Max	
Blue	465	465-475	102	30	125	25	2.8	3.3	3.4	80	150	250	120	
Green	573	565-576	75			19	1.7	2.05	2.5	32	60	100		
Red	630	615-630	75			18	1.7	2.0	2.5	125	210	400		
White	-	-	111			-	2.8	3.1	3.7	250	495	800		
Yellow	591	585-595	75			18	1.7	2.1	2.5	80	150	250		
Red	631	620-630	75			20	1.7	2.0	2.5	320	550	1000		
Green	520	520-530	111			33	2.8	3.3	3.77	400	700	1250		
Yellow	590	588-600	75			20	1.6	2.0	2.5	100	170	320		
Green	574	565-575	75			20	1.7	2.0	2.5	32	50	100		
Amber	608	600-610	75			18	1.7	2.0	2.5	80	140	250		
Green	520	520-525	111			35	1.7	2.0	2.5	500	800	1600		

Remark: Viewing angle is the OFF-axis angle at which the luminous intensity is half the axial luminous intensity.

LED Absolute Maximum Rating (Ta=25°C)

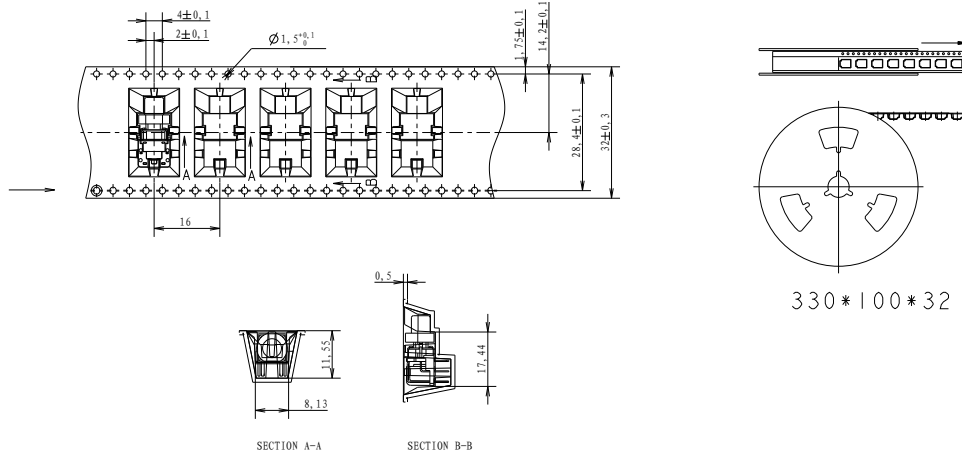
Reverse Voltage	5V
Reverse Current	10 μ A
Operating Temperature Range	-40°C to 85°C
Storage Temperature Range	-40°C to 85°C
Lead Soldering Temperature	260°C for 10 seconds

EITS Series

Right Angle Illuminated Tact Switch



Packaging Dimensions (mm)

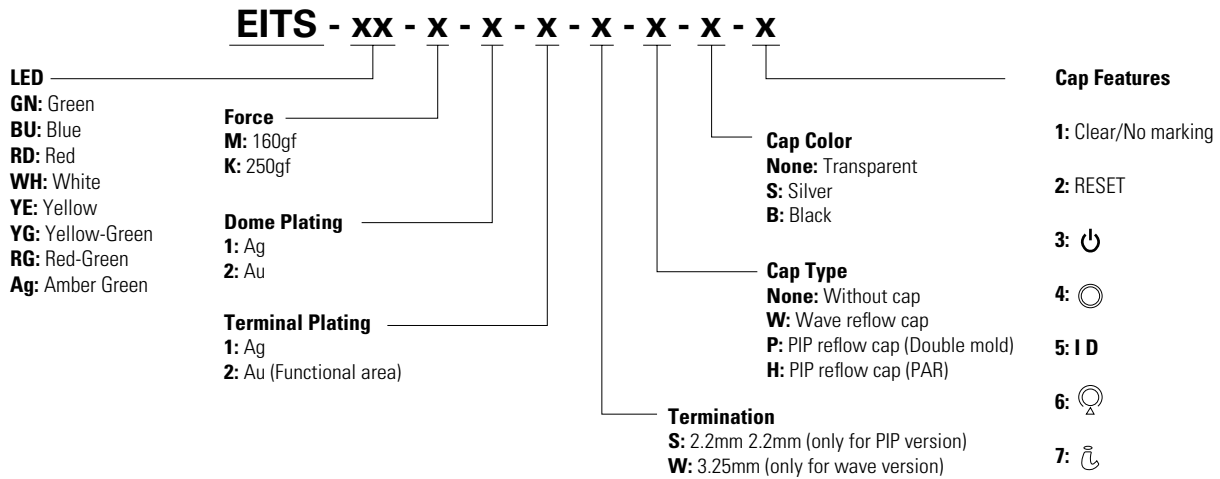


Packaging Details

	PIP/THT
Type	Tape and reel
Number of parts in packaging	300
Other Information	EIA 481
Transport Condition	According to specification NF H00-060

Ordering Number

Our easy build-a-switch concept allows you to mix and match options to create the switch you need. To order, select desired option from each category and place it in the appropriate box. For any part number different from those listed above, please consult your local representative.



Liability Limitation

This datasheet does not provide enough information for applications that require a certain level of quality or safety such as automotive, medical systems, or safety equipment. Please contact customer service for the contractual specification package.

Disclaimer Notice - Information furnished is believed to be accurate and reliable. However, users should independently evaluate the suitability of and test each product selected for their own applications. Littelfuse products are not designed for, and may not be used in, all applications. Read complete Disclaimer Notice at <http://www.littelfuse.com/disclaimer-electronics>.